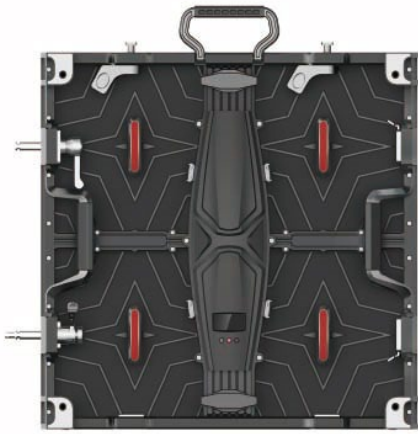


High end outdoor event rental LED display features



Features:

The weight is only 500X500 7.5kg, 500X1000 12.5kg, saving transportation and labor cost .





Fast installation



160° viewing angle



16 Bit grey level



High contrast ratio



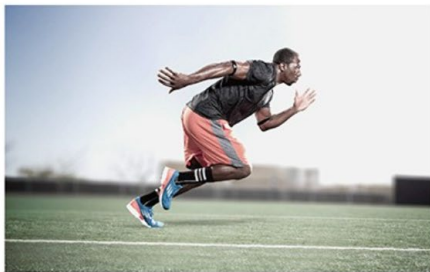
16Bit grey processing technology



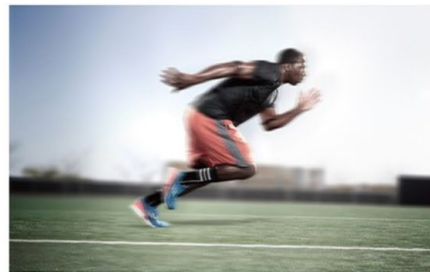
68.7 billion colors

True 16bit color, 6500nits brightness, daylight visible.

HIGH REFRESH RATE (**3840HZ**)



3840Hz

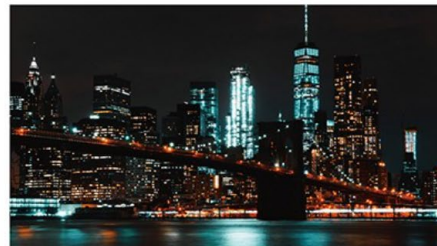


1920Hz

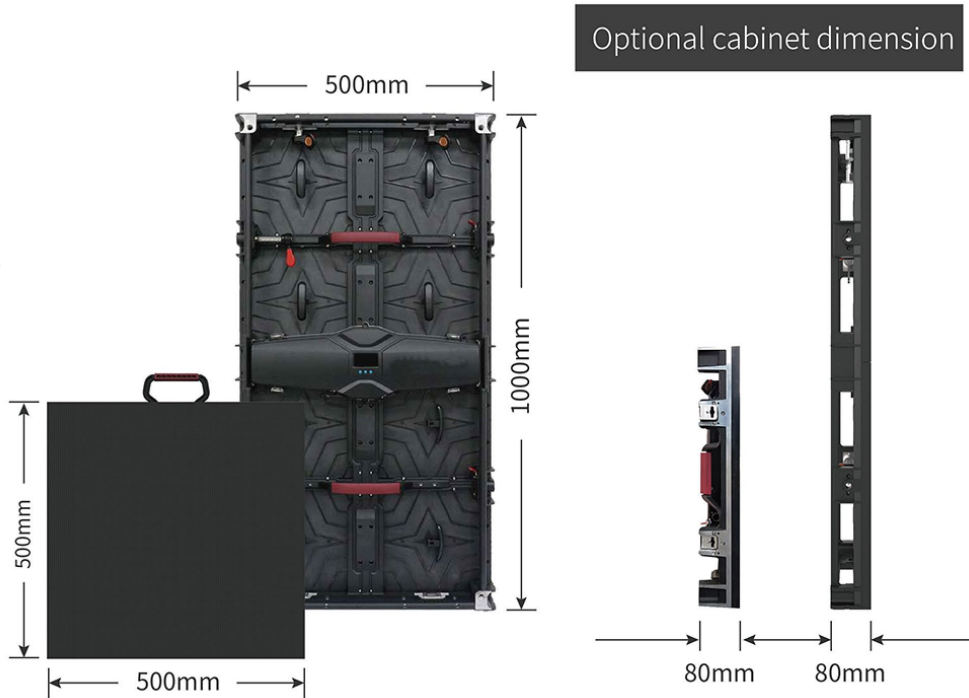
HIGH GREY LEVEL (**16bit**)



16 bit



8 bit

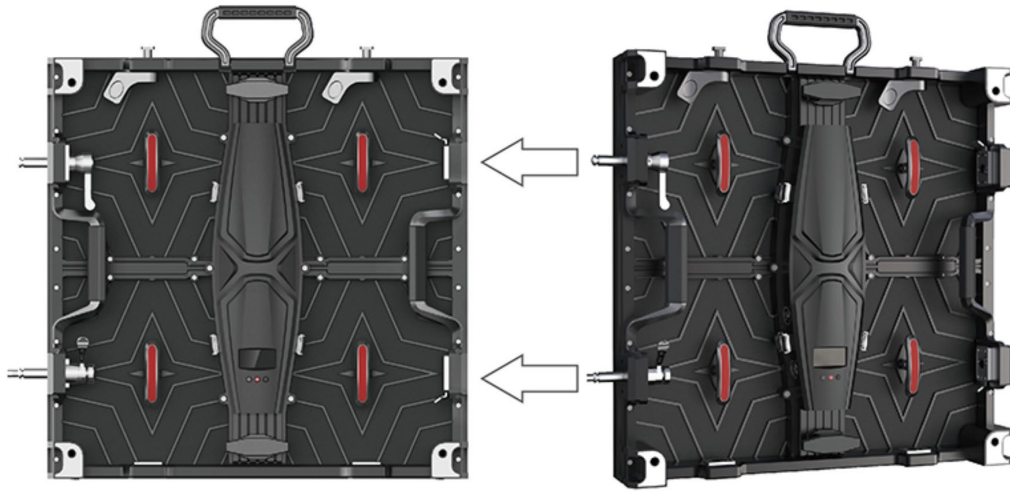


500*500mm and 500*1000mm free combination.

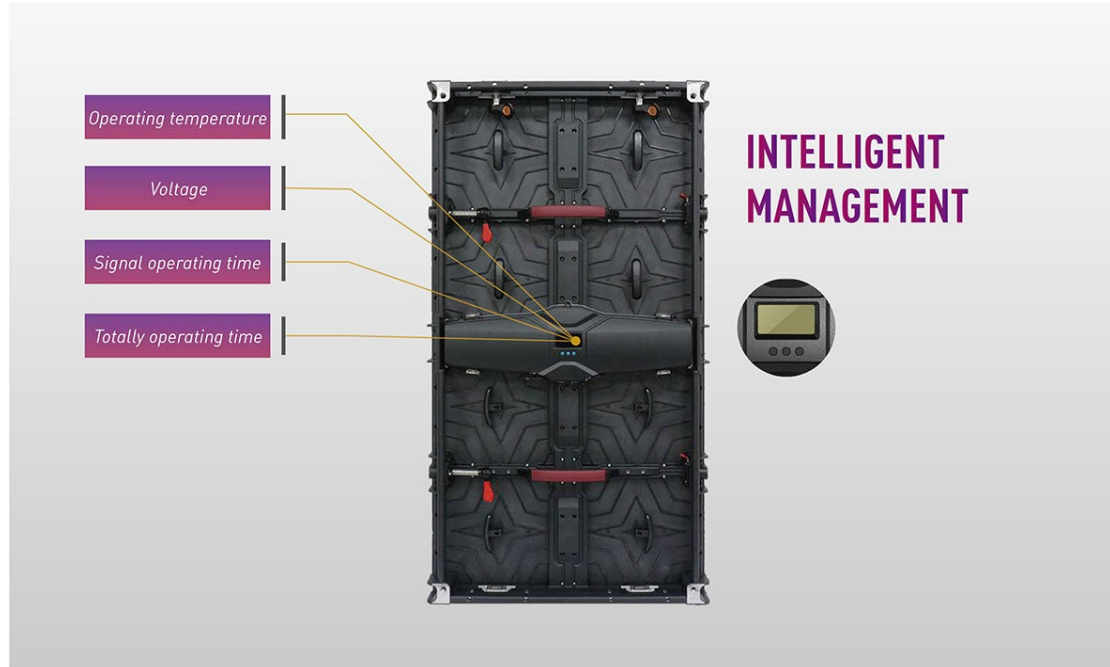


Quick | One man installation

Auto-locking system for fast and easy 1 man installation with ultimate safety and pixel protection.



With light weight and stainless steel fast lock, one man can handle the installation and setup.



The LCD digital display on the integrated power box of cabinet shows the operating and signal situation.



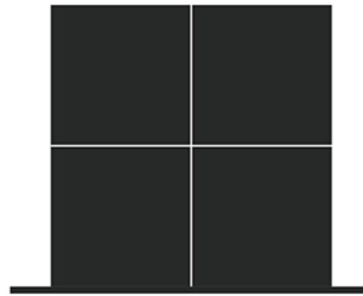
IP65 WATERPROOF

IP65 waterproof protection on the front side ensures continuous and stable operation in all kinds of outdoor environments.

IP65 waterproof protection on the front side ensures continuous and stable operation in all kinds of outdoor environments.



Hanging installation



Stack installation

Support hanging and stacking installation, with specially designed truss frame(optional)



Light weight plastic Flight case packing (one for 5pcs 500-1000mm panels, total gross weight:92kgs)



Cabinet structure reference(500-500mm)



High end seatronic power and signal connectors

Specs data

P3.91 P4.81 high end outdoor event rental display		
Model	P3.91	P4.81
Pixel configuration	SMD1921	SMD1921
Pixel pitch	3.91mm	4.81mm
Scan rate	1/8 scanning, constant current	1/7 scanning, constant current
Module size (W×H)	250*250MM	250*250MM
Resolution per module	W 64 x H 64pixels	W 52 x H 52pixels
Standard cabinet dimension(W×H×D)	500×1000×80mm	500×500×80mm
Cabinet type	Aluminum die casting back service	Aluminum die casting back service
Pixel resolution/cabinet (W×H)	128 x 256pixels	104 x 208pixels
Resolution/sqm	65410 dots/m ²	43222 dots/m ²
Minimum viewing distance	Minimum 3 meters	Minimum 4 meters
Brightness Max.	6500CD/M2	6500CD/M2
Gray scale	16 bit, 8192steps	16 bit, 8192steps
Color Number	281 trillion	281 trillion
Display Mode	Synchronous with video source	Synchronous with video source
Refresh rate	≥3840HZ	≥3840HZ
Viewing angle(degree)	H/160,V/140	H/160,V/140
Temperature range	-25℃ to +70℃	-25℃ to +70℃
Ambient Humidity	10%-99%	10%-99%
Service access	back	back
Standard cabinet weight	26kgs/m ²	26kgs/m ²
Max.Power Consumption	Max: 640w/sqm	Max: 768w/sqm
Protection Level	Front: IP65 Rear: IP54	Front: IP65 Rear: IP54
Lifetime to 50% brightness	75,000hr	75,000hr
LED Failure Rate	<0,00001	<0,00001
MTBF	> 10.000 hours	> 10.000 hours
Input power cable	AC220V	AC220V
Signal input	DVI	DVI