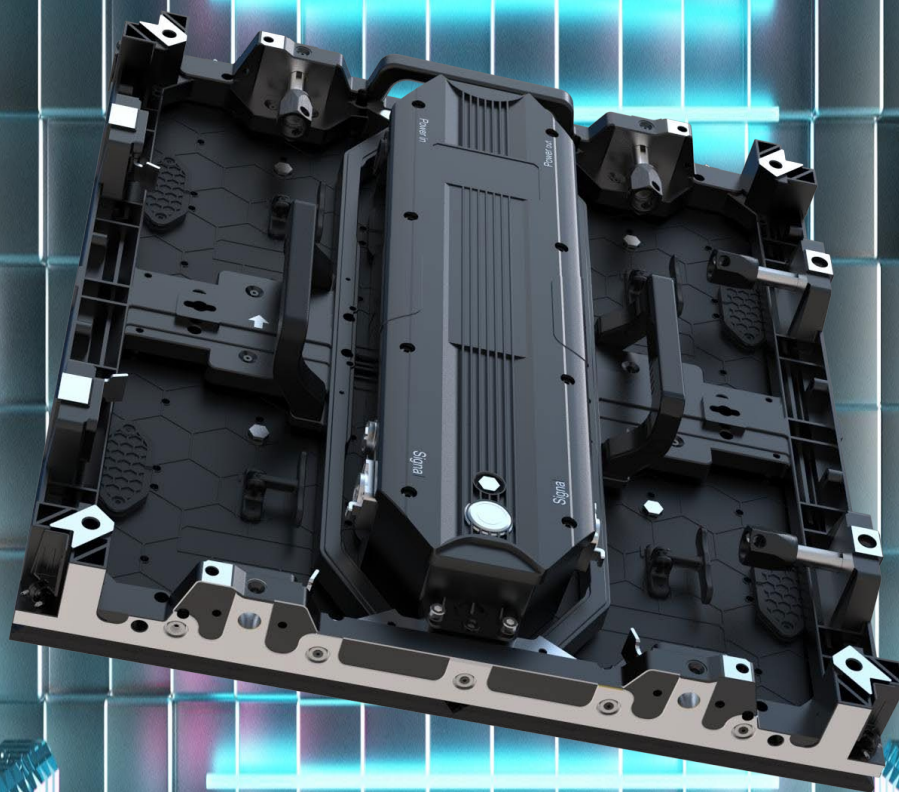


# VFG SERIES

## Outdoor Fine Pitch Series

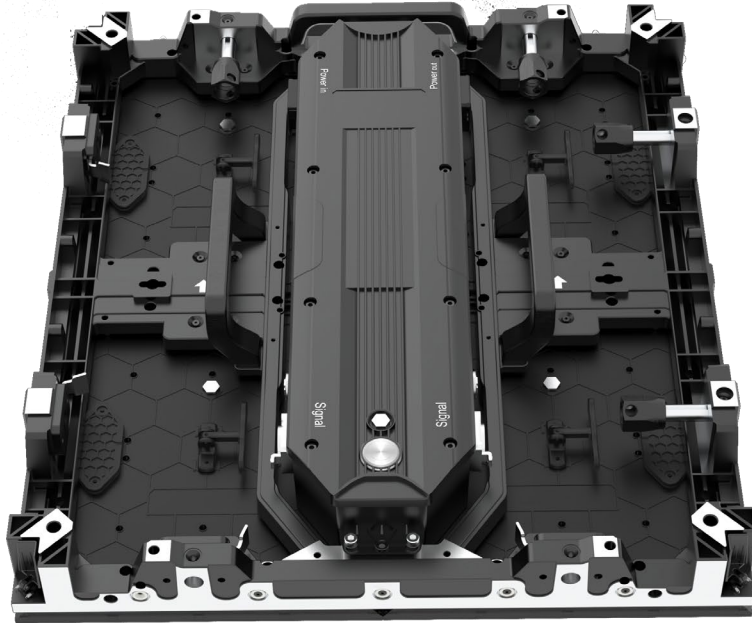
P1.5、P1.875、P2.5  
IP65 FRONT&REAR



 **visualPower**

VISUALPOWER(HK) CO.,LIMITED

## Excellent Display Effect



### KEY FEATURES

---

- ▲ Finest pixel pitch for outdoor application
- ▲ Pitch P1.5/ P1.875/ P2.5
- ▲ 100% front access / rear access
- ▲ 8:9 ratio (easily make 16:9)
- ▲ FLIPCHIP common cathode technology
- ▲ High brightness/ High contrast ratio(8000:1)
- ▲ High refresh rate / High gray scale (3840HZ/ 22bit+)
- ▲ S-latch (quick latch for front access)

# VFG series

## Panel Dimensions



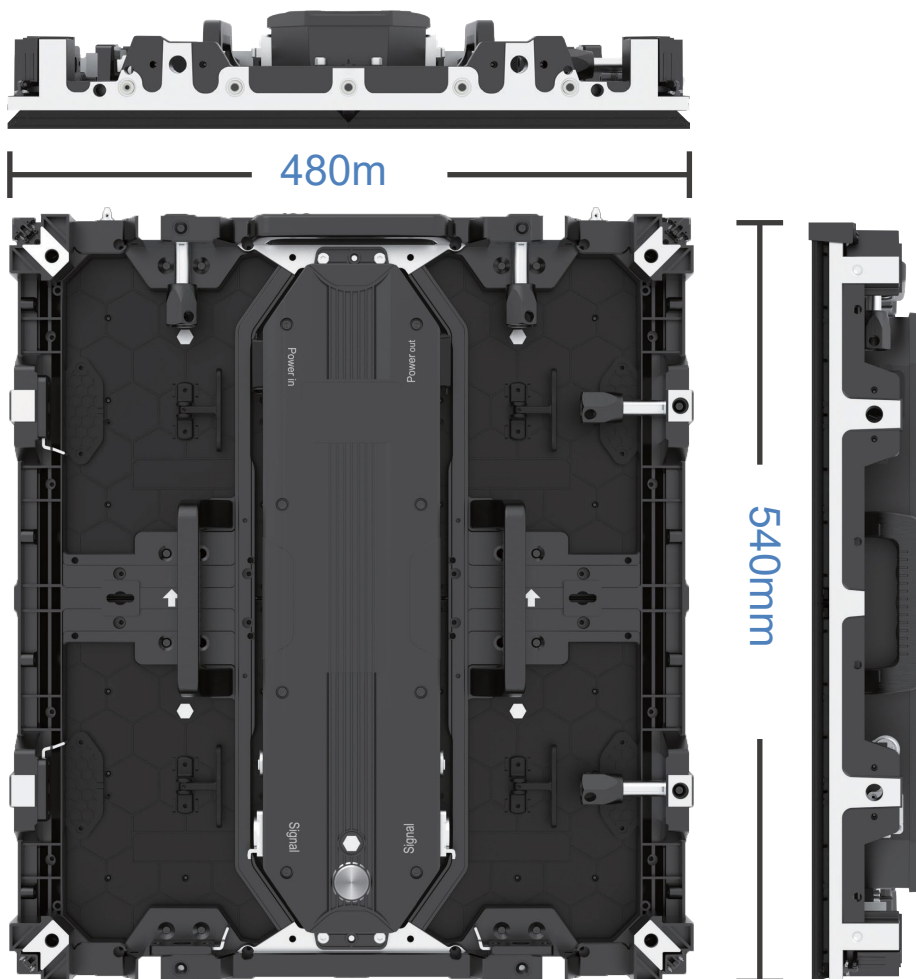
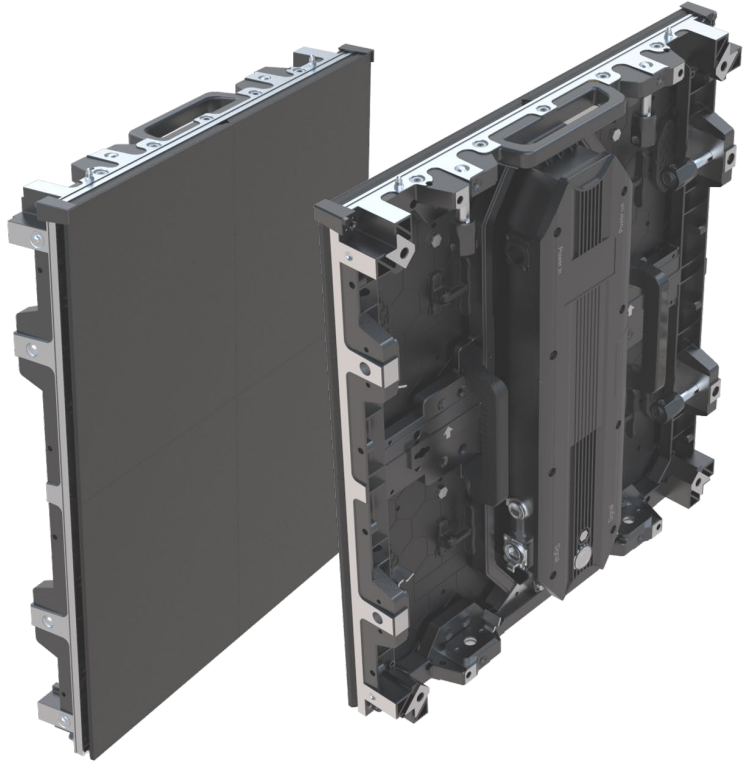
**Width:480mm**

**Height:540mm**

**Thickness:66mm**

**Weight:9.5kg**

**Width height ratio: 8:9**



# VFG series

## Module dimensions

**Width:240mm**

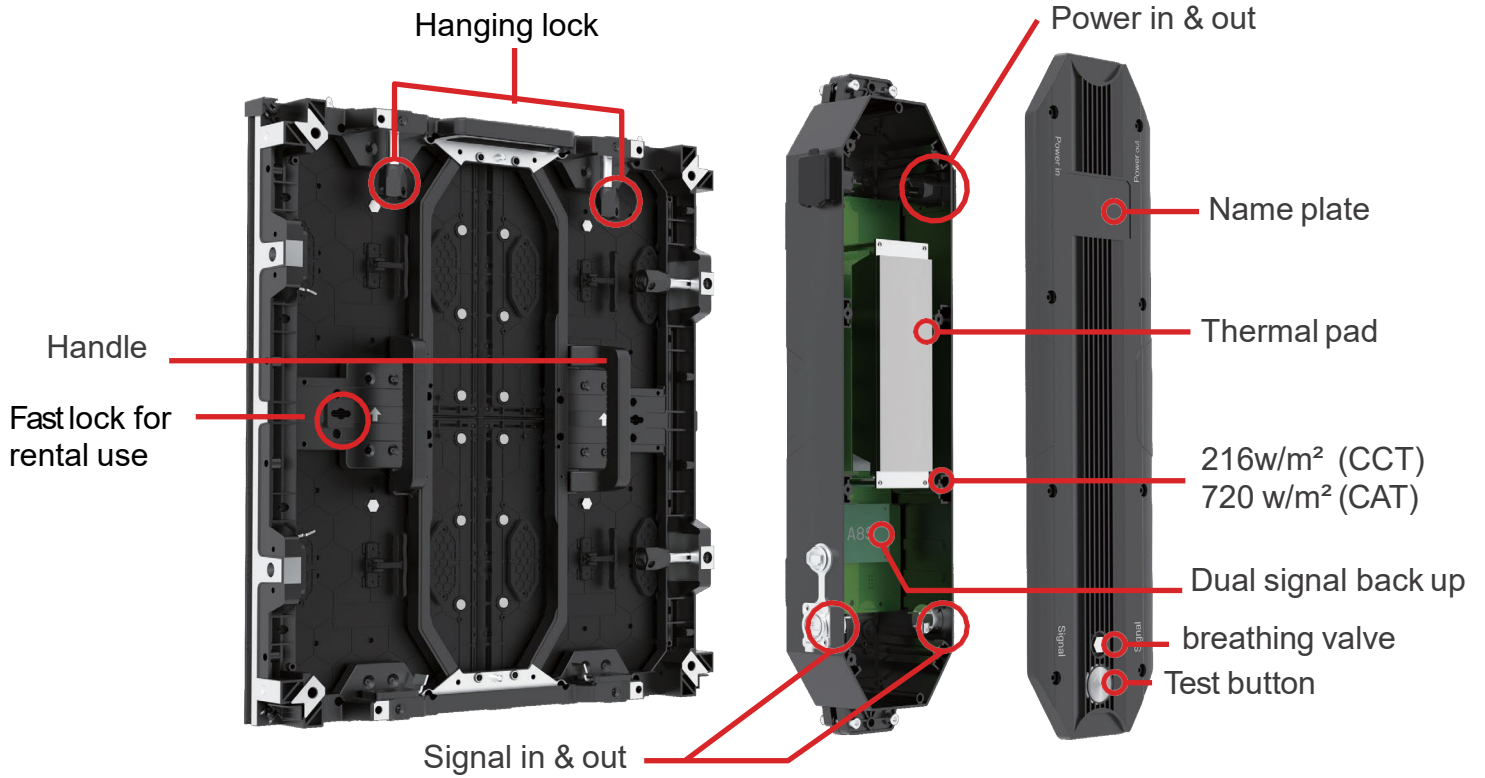
**Height:270mm**

**Thickness:13.5mm**

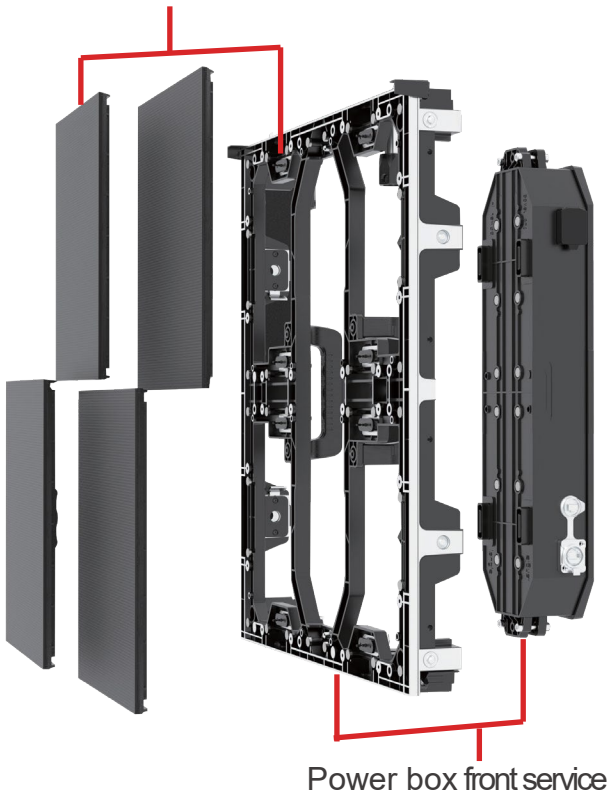
**Weight:9.5kg**



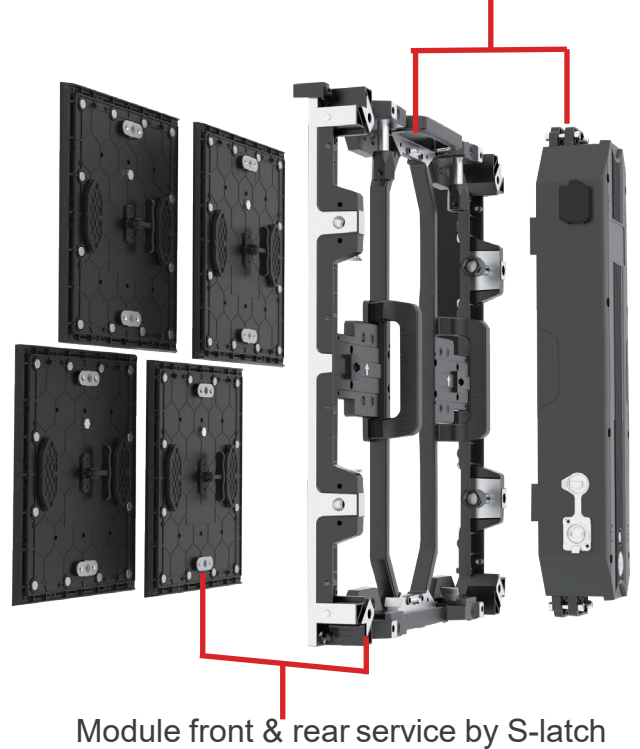
# VFG series Components



Module front and rear service by S-latch



Power box rear service



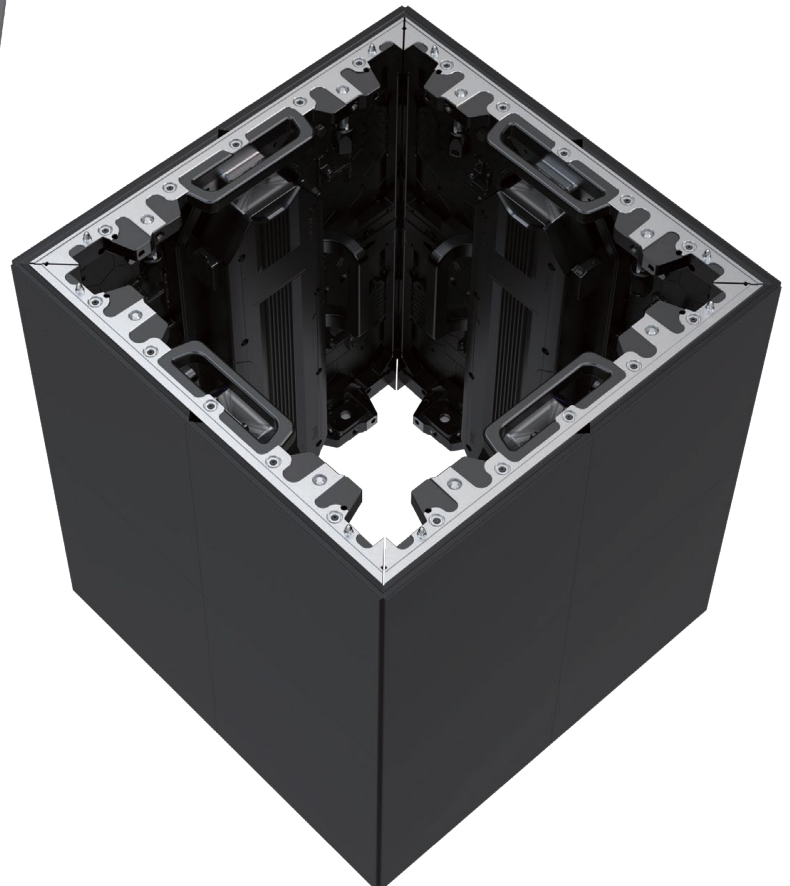
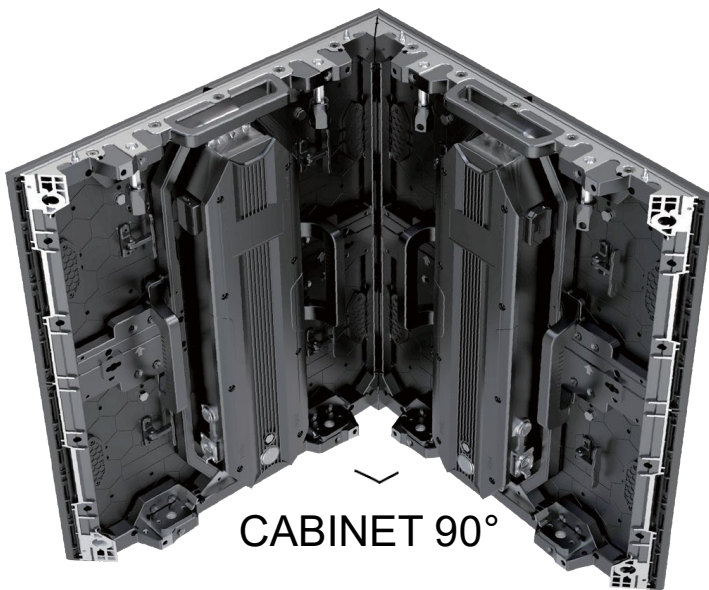
# VFG series

bevel design to achieve free splicing at any angle



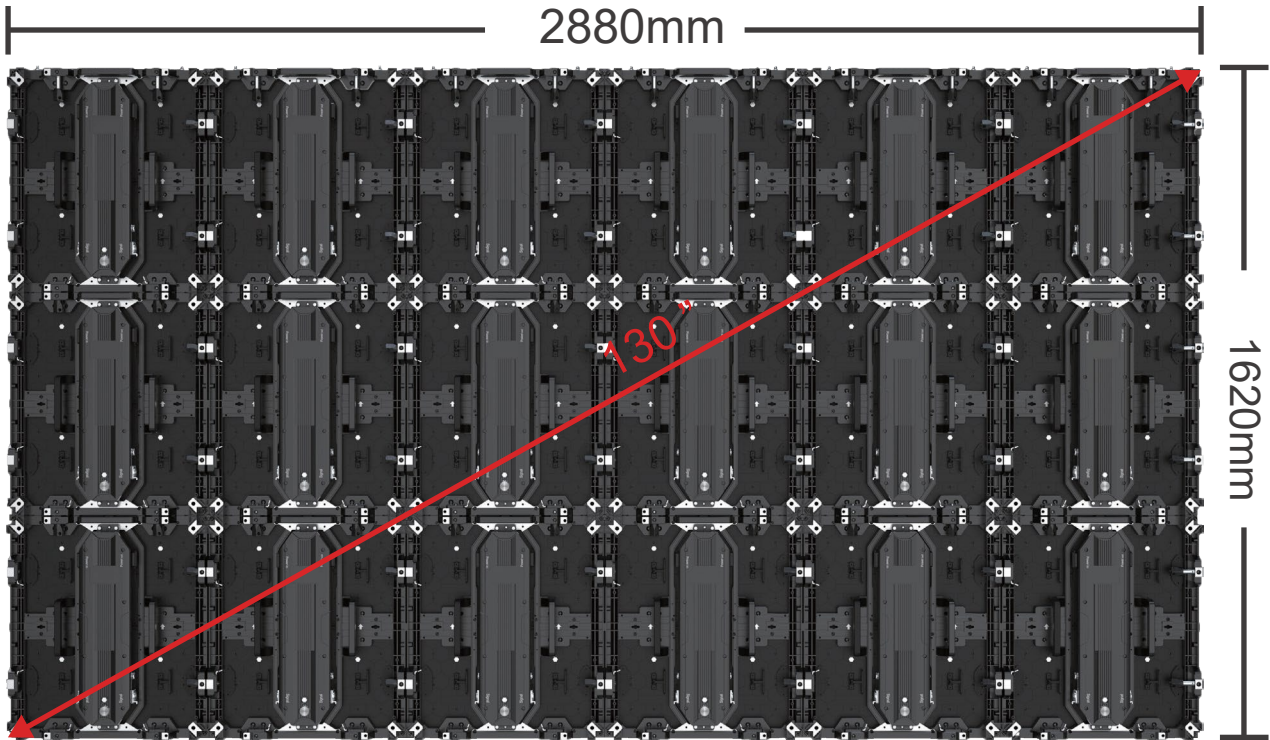
The thinnest outdoor fine pitch LED with a 45° angle

Die-cast module for high precision alignment



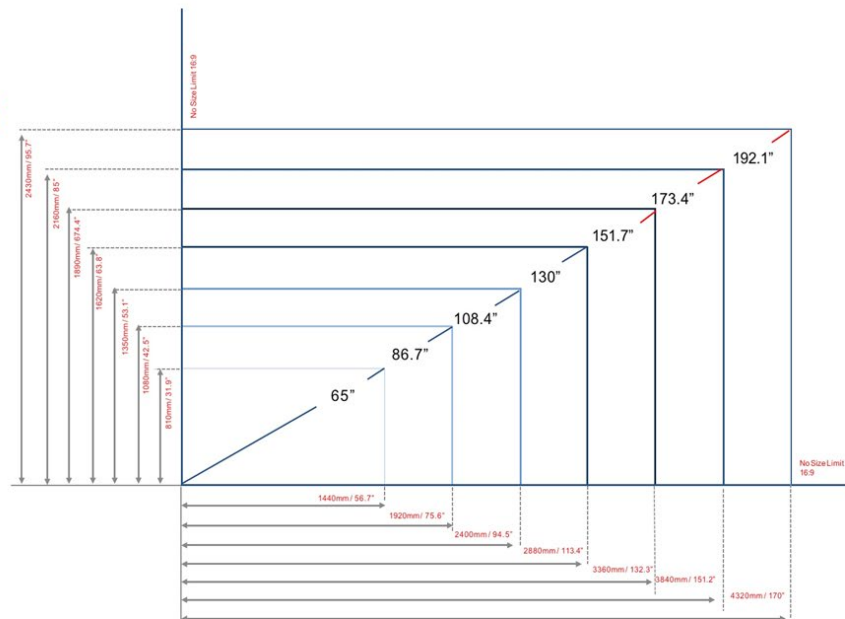
8:9 cabinet ratio

Standard aspect ratio perfectly achieve full HD 4K, 8K resolutions



P1.5 2k Resolutions

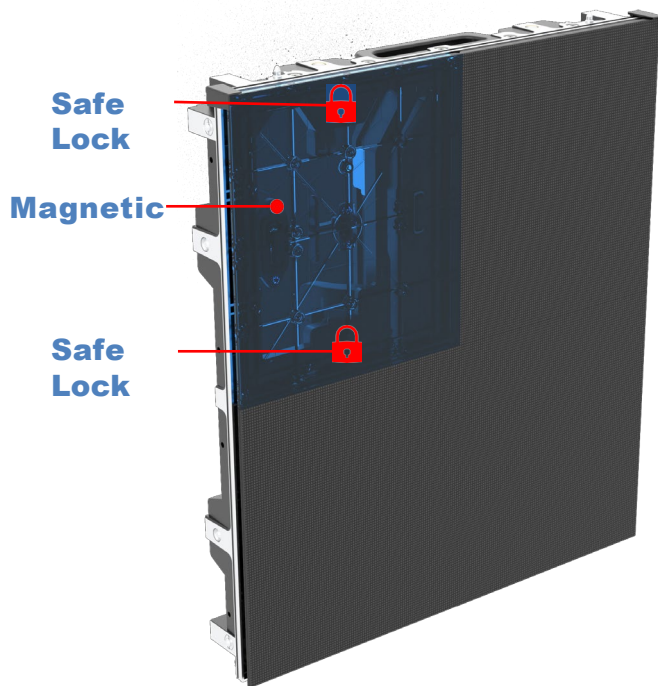
## VFG SERIES



# VFG series

## S-latch (Front-access quick lock)

### S-latch



#### Theft-proof

Invisible but higher security locking



#### Shock-proof

Suitable for mobile screens, installed close to railway or seismic region is OK



#### Fall-proof

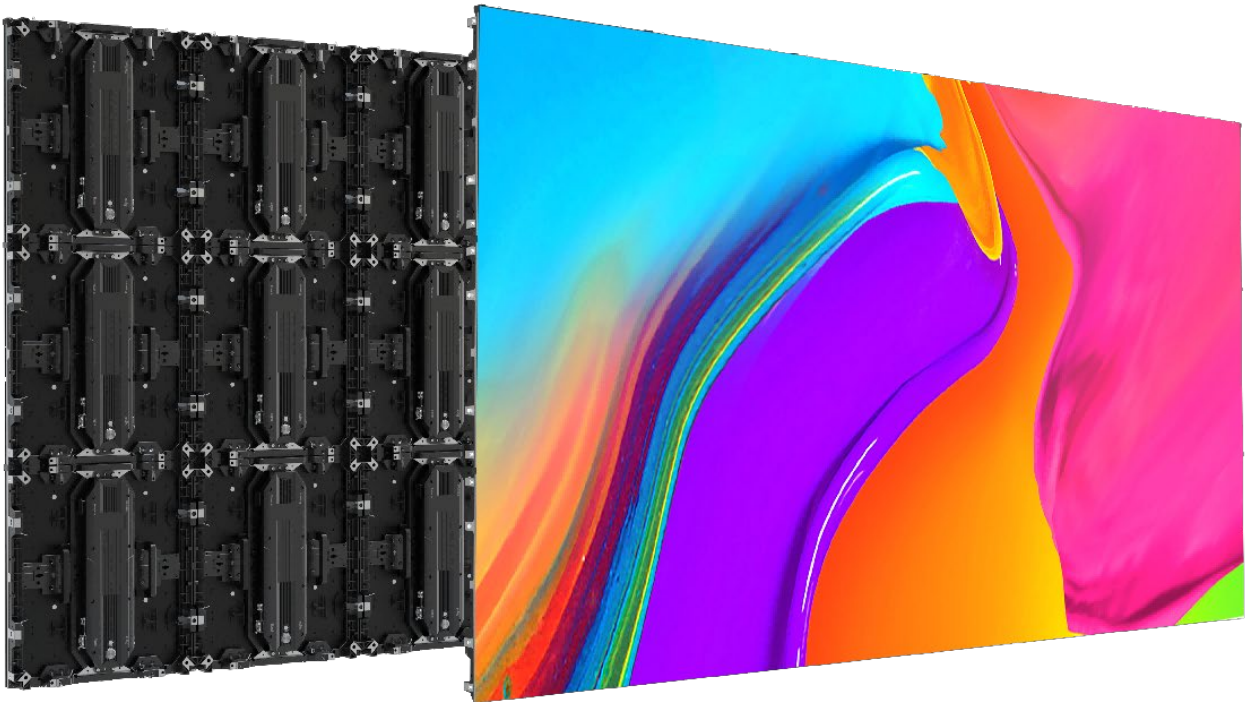
Firmly fixing, no modules falling in strong winds or harsh weather

**FULL FRONT MAINTENANCE**  
by special maintenance  
tool





# VFG series SPECIFICATIONS



## 9 IMPORTANT ENVIRONMENT PROTECTION

Protected  
against  
exterior impact



# VFG series

## SPECIFICATIONS



### 8:9 Ratio Die-cast Aluminum frame

	Product Name			
	Physical Pitch	P1.5	P1.875	P2.5
Mechanical	Pixel Density (m2)	444,444pixels/m <sup>2</sup>	284,444pixels/m <sup>2</sup>	160,000pixels/m <sup>2</sup>
	Pixel Density (Panel)	115,200pixels/panel	73,728pixels/panel	41,472pixels/panel
	LED Module Dimensions (mm)	240 × 270	240 × 270	240 × 270
	Panel Dimensions (W x H x D (mm))	480 × 540 × 70	480 × 540 × 70	480 × 540 × 70
	No. of Modules Per Panel (W × H)	2 × 2	2 × 2	2 × 2
	Physical Resolution of Module (W × H)	160 × 180	128x144	96x108
	Physical Resolution of Panel (W× H)	320 × 360	256 × 288	192 × 216
	Weight Per Panel	9.5kg/panel	9.5kg/panel	9.5kg/panel
	Weight Per m	36.6kg/m <sup>2</sup>	36.6kg/m <sup>2</sup>	36.6kg/m <sup>2</sup>
	Cabinet Material	Aluminum	Aluminum	Aluminum
	Servicing	Front and Rear	Front and Rear	Front and Rear
	IP Rating	Front IP 65, Back IP54	Front IP 65, Back IP54	Front IP 65, Back IP54
Optical/ Video	Brightness (after Cal.)	>4000nits	>4000nits	>3500nits
	Refresh Rate	1920-3840HZ	1920-3840HZ	1920-3840HZ
	Horizontal Viewing Angle	160°	160°	160°
	Scan method	30	24	18
	Vertical Viewing Angle	160°	160°	160°
	Color temperature	/	/	/
	- Default	8000K ± 500K	8000K ± 500K	8000K ± 500K
	-Adjustable range	3500~12,000K	3500~12,000K	3500~12,000K
	Processing	14bit	14 bit	14 bit
	Colours	281 trillion	281 trillion	281 trillion
Contrast Ratio	4,000 : 1	4,000 : 1	4,000 : 1	
Electrical/ Environment al	Average Power Consumption	216w/m <sup>2</sup>	216 w/m <sup>2</sup>	216 w/m <sup>2</sup>
	Max Power Consumption	720 w/m <sup>2</sup>	720 w/m <sup>2</sup>	720 w/m <sup>2</sup>
	Operating Temp/Humidity	-20 ~ 50 ° C/ 10% ~ 90%	-20 ~ 50 ° C/ 10% ~ 90%	-20 ~ 50 ° C/ 10% ~ 90%
	Storage Temp/Humidity	-30 ~ 60 ° C/ 10% ~ 95%	-30 ~ 60 ° C/ 10% ~ 95%	-30 ~ 60 ° C/ 10% ~ 95%
	Expected LED Lifetime (Max)	100,000 Hrs	100,000 Hrs	100,000 Hrs